

**EXIDE**  
Premium

EA722

TRADUIRE

Specification

bing

Scroll down for Terminology

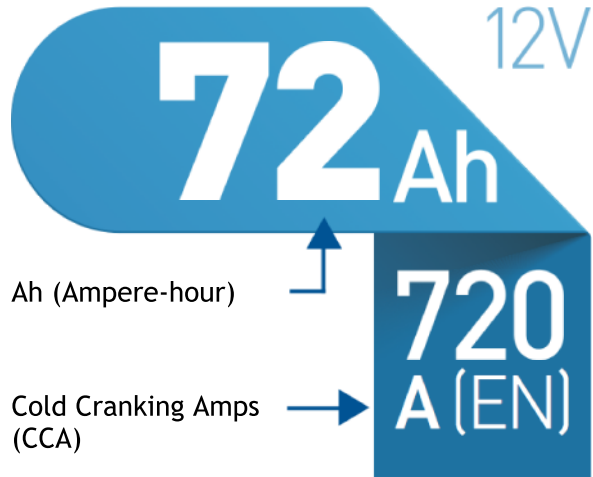
### Exide Part Number

# EA722

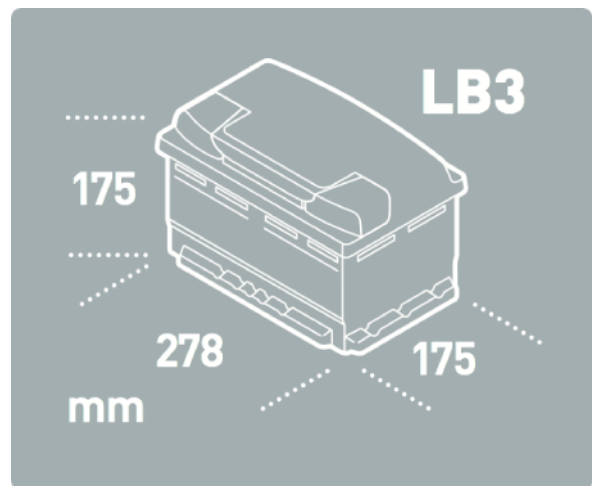
Brand	Range	Capacity (Ah)	Box Type
↓ Exide	└─┬─ Premium		

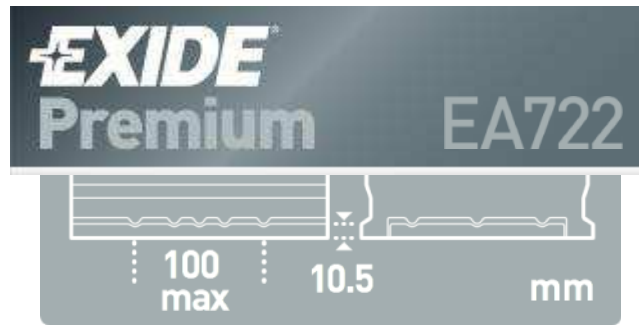
### Performance Grid

Voltage ↓  
12V

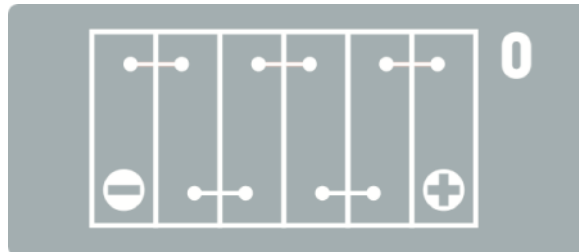


### Battery Dimensions





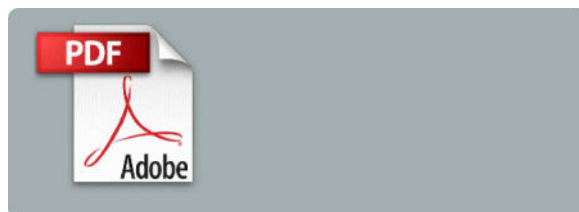
### Assembly/Polarity



### Terminal: Standard Post



### Safety and Instructions



### European Standards:

UK:096TE

### Battery Terminology:

#### Ampere, or Amp

The unit of measurement of current flow. One volt placed across a one ohm resistance will cause a current of one Amp to flow.

#### Ampere-hour or Ah

One amp for one hour is called an “amp-hour” or Ah. Ah is an indicator of the total energy the battery can store and deliver at



hours of discharge, so a current of 3 amps for 20 hours would be 60 Ah.

### **Cold Cranking Amperes (CCA)**

The CCA is an indicator of the power the battery can deliver for engine start. Consequently, bigger engines usually require higher CCA values to operate. CCA is measured in Amperes under normalised conditions (discharge at -18°C, keeping battery voltage over a minimum value) according to the standard EN50342-1.

### **Voltage**

All modern conventional cars use a 12V battery consisting of six cells of 2V per cell. For other applications lead-acid batteries are also available in 6V.