



# LPGS Series-Gel Battery

## LPGS12-200(12V200Ah)

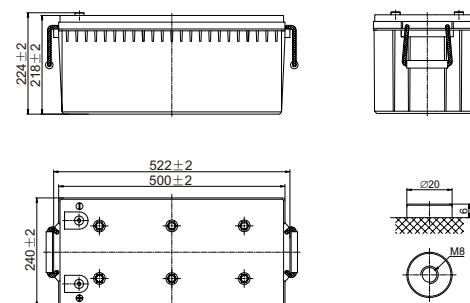


### Specifications

Rated Voltage	12V	
Nominal Capacity	200Ah (C <sub>10</sub> , 1.80V/cell)	
Dimension	Length	522±2mm (20.6 inches)
	Width	240±2mm (9.45 inches)
	Container Height	218±2mm (8.58 inches)
	Total Height	224±2mm (8.82 inches)
Approx Weight	60.3 Kg (132.9 lbs)	
Terminal	M8	
Container Material	ABS	
Rated Capacity (25°C)	206.0 Ah	(20hr, 10.3A, 1.80V/cell)
	200.0 Ah	(10hr, 20.0A, 1.80V/cell)
	170.0 Ah	(5hr, 34.0A, 1.75V/cell)
	147.6 Ah	(3hr, 49.2A, 1.75V/cell)
	113.9 Ah	(1hr, 113.9A, 1.65V/cell)
Max. Discharge Current	2000A (5s)	
Internal Resistance (25°C)	Approx 3.2mΩ	
Operating Temp. Range	Discharge : -20 ~ 55°C (-4 ~ 131°F)	
	Charge : -20 ~ 40°C (-4 ~ 104°F)	
	Storage : -20 ~ 50°C (-4 ~ 122°F)	
Nominal Operating Temp. Range	25±3°C (77±5°F)	
Cycle Use	Initial Charging Current less than 50.0A. Voltage 14.4V~15.0V at 25°C(77°F)Temp. Coefficient -30mV/°C	
Standby Use	Initial Charging Current less than 50.0A. Voltage 13.5V~13.8V at 25°C(77°F)Temp. Coefficient -20mV/°C	
Effect of temp. to Capacity	40°C (104°F)	103%
	25°C (77°F)	100%
	0°C (32°F)	86%
Self Discharge	LPGS series batteries may be stored for up to 6 months at 25°C(77°F) and then a freshening charge is required. For higher temperatures the time interval will be shorter.	



### Layout



### Constant Current Discharge (Amperes) at 25 °C (77°F)

F.V/Time	5min	10min	15min	20min	30min	45min	1h	2h	3h	4h	5h	6h	8h	10h	20h
1.85V/cell	322.4	253.5	215.6	180.3	142.5	108.2	89.5	56.9	44.2	36.4	30.9	26.9	21.9	18.6	10.0
1.80V/cell	426.5	319.2	256.7	210.0	164.0	122.8	99.6	61.9	47.5	38.7	33.2	28.9	23.4	20.0	10.3
1.75V/cell	490.8	358.0	286.1	230.6	174.8	129.9	105.4	64.8	49.2	40.0	34.0	29.7	23.8	20.2	10.4
1.70V/cell	546.8	394.7	309.1	245.2	184.4	136.4	110.0	68.0	50.9	41.2	34.9	30.3	24.1	20.3	10.6
1.65V/cell	597.2	421.9	325.5	258.0	193.1	140.5	113.9	69.9	52.8	42.4	35.7	31.0	24.5	20.5	10.7
1.60V/cell	664.0	461.8	350.9	277.1	205.2	148.5	119.4	72.5	54.7	43.4	36.4	31.6	24.8	20.8	10.8

### Constant Power Discharge (Watts/cell) at 25 °C (77°F)

F.V/Time	5min	10min	15min	20min	30min	45min	1h	2h	3h	4h	5h	6h	8h	10h	20h
1.85V/cell	594.1	471.9	405.4	342.5	273.0	209.0	173.5	110.9	86.5	71.3	60.7	53.1	43.4	36.9	19.9
1.80V/cell	778.1	587.6	476.5	393.4	310.4	235.3	192.0	119.9	92.4	75.6	65.0	56.8	46.1	39.7	20.5
1.75V/cell	875.6	647.9	524.3	427.5	328.0	246.8	202.1	125.2	95.5	77.9	66.4	58.2	46.8	40.0	20.6
1.70V/cell	947.0	697.2	557.6	450.4	343.5	257.7	210.1	130.9	98.5	80.0	68.0	59.3	47.4	40.2	21.0
1.65V/cell	1017.5	736.9	581.5	469.4	356.5	263.3	216.1	133.7	101.7	82.1	69.4	60.4	48.0	40.5	21.2
1.60V/cell	1105.2	788.1	616.6	498.6	375.7	276.6	225.4	138.0	104.8	83.7	70.5	61.5	48.5	41.1	21.3



# LPGS Series-Gel Battery

## LPGS12-200(12V200Ah)



### Applications

- Communication power supply
- Engine starting
- Pump systems
- Alarm installations
- Marine and power stations

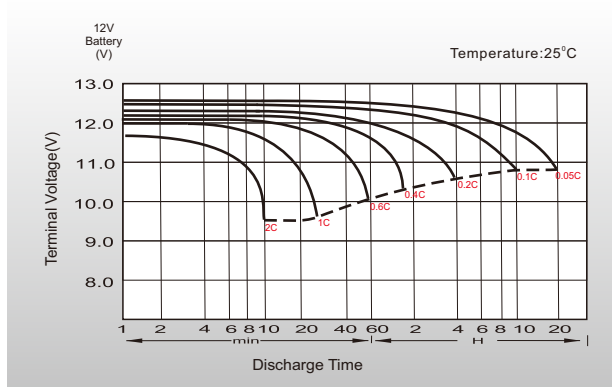
### General Features

- Adopted advantage AGM-GEL technology
- Operation temperature  $-20\sim 55^{\circ}\text{C}$
- $\leq 3\%$  Self discharge @ $25^{\circ}\text{C}$

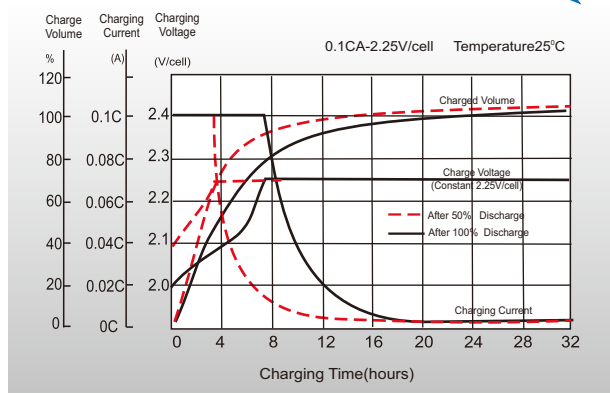
### Standards

- IEC 60896 Certified
- Classified as "Long Life" according to Eurobat
- UL Certified, CE Certified
- Manufactured in Leoch® IATF16949, ISO 9001, ISO 14001 and ISO 45001 certified production facilities

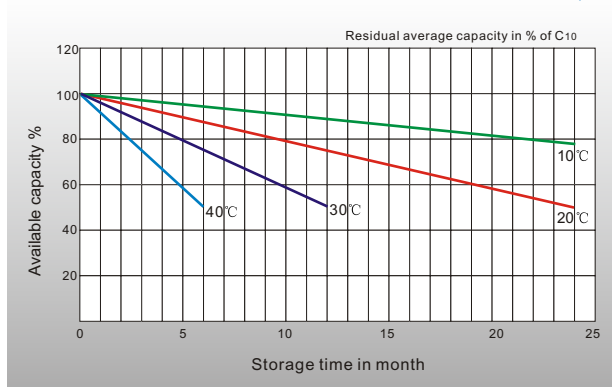
### Discharge Characteristics



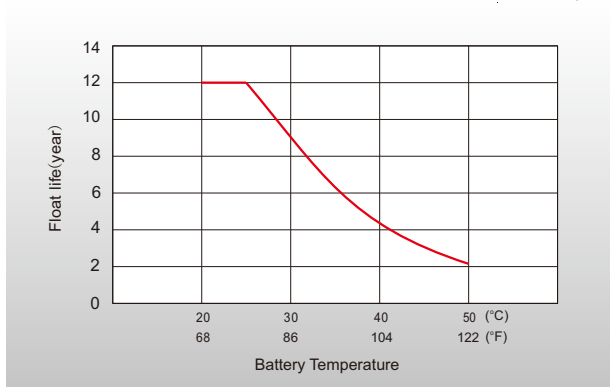
### Float Charging Characteristics



### General Relation of Capacity VS. Storage Time



### Effect of Temperature on Long Term Float Life



## Sales Offices Worldwide

#### China Sales Office

5th Floor, Xinbaohui Bldg., Nanhai Blvd.,  
Nanshan, Shenzhen, China. 518052  
Tel: +86-755-86036060 (100 lines)  
Fax: +86-755-26067269  
E-mail: export@leoch.com

#### HongKong Sales Office

Workshop C, 33/F, TML Tower, No. 3 Hoi Shing Road,  
Tsuen Wan, New Territories, Hong Kong  
Tel: +852 35786666  
Fax: +44 1452 690125  
E-mail: sales.hk@leoch.com

#### Singapore Sales Office

No. 1 Tech Park Crescent,  
Singapore 638131  
Tel: +65 68636078  
Fax: +65 6863 6079  
Email: sales.sg@Leoch.com

#### Australia Sales Office

2/29 Tarlington Place, Smithfield, NSW 2164  
Australia  
Tel: 02 9756 0950  
E-mail: sales.au@leoch.com

#### North America Sales Office

19751 Descartes  
Foothill Ranch, CA 92610, USA  
Tel: 949-588-5853  
Fax: 949-588-5966  
E-mail: sales@leoch.us

#### UK Sales Office

9B Wheatstone Court, Waterwells, Business Park,  
Gloucester, GL2-2AQ, UK United Kingdom  
Tel: +44(0) 1452 729428 / 1452 729696  
Fax: +44 1452 690125  
E-mail: Sales.Europe@leoch.com

#### EMEA Sales Office

1 Deligiorgi St., 121 31 Athens,  
Greece  
Tel: +30 210 5760318 (2 lines)  
E-mail: support\_EMEA@leoch.com

#### India Sales Office

Shed no.A-53(b), 2nd Stage of Peenya Industrial Area,  
Bangalore North Taluk, Bangalore-560058, India  
Tel: +91-80-23440018/23440019  
Fax: +91-80-23440017  
E-mail: indiasales@leoch.com